

Запчасти для мотор-редукторов серии MNHL

PARTI DI RICAMBIO

Per consultare il catalogo ricambi rivolgersi all'Ufficio Tecnico della SITI S.p.a. e richiedere la documentazione cartacea o il CD-ROM interattivo.

SPARE PARTS

To consult the spare parts catalogue, contact the SITI S.p.a. engineering office and request a hard copy of the documentation or the interactive CD-ROM.

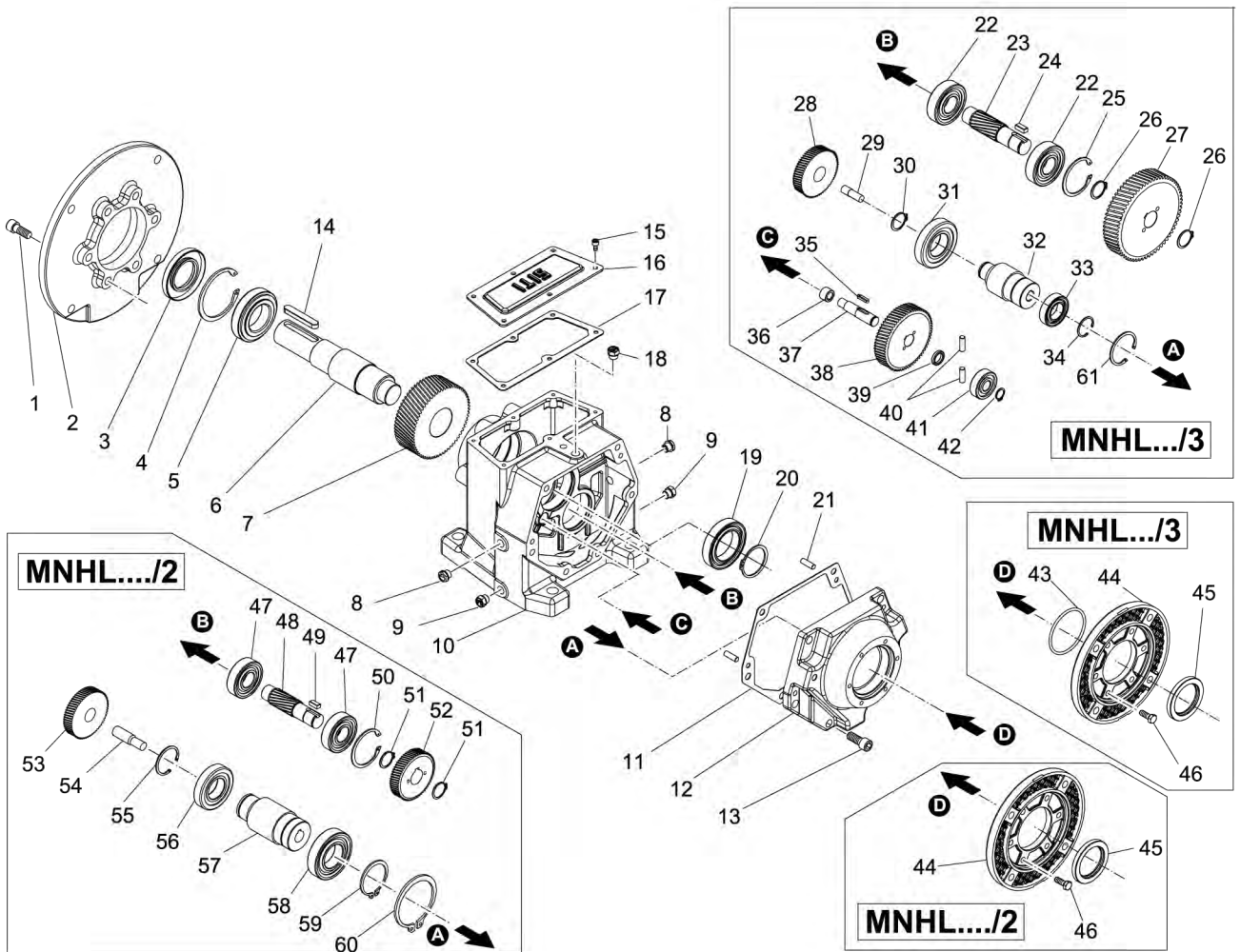
ERSATZTEILE

Für den Ersatzteilkatalog wenden Sie sich bitte an die Technische Abteilung der Firma SITI S.p.a.; dort erhalten Sie die Dokumentation auf Papier oder die interaktive CD-ROM.



RIDUTTORI COASSIALI - HELICAL INLINE GEARBOXES - STIRNRADGETRIEBE

MNHL 2M: 1M



Запчасти для мотор-редукторов серии MNHL

MNHL .../2

	56	58	45	47	19	5	3
	Cuscinetto Bearing <i>Lager</i>	Cuscinetto Bearing <i>Lager</i>	Anello di tenuta Shaft seal <i>Dichtring</i>	Cuscinetto Bearing <i>Lager</i>	Cuscinetto Bearing <i>Lager</i>	Cuscinetto Bearing <i>Lager</i>	Anello di tenuta Shaft seal <i>Dichtring</i>
MNHL20	6004	6007	35x55x10 BASL	6201	6204	6204-2RS	24x47x7 BASL
MNHL25/2	6005	6008-2RS	40x60x10 BASL	6302	6205	6206	30x62x8 BASL
MNHL30/2	6205	6008-2RS	40x60x10 BASL	6304	6206	6208	40x80x10 BASL
MNHL35/2	6305	6008-2RS	40x60x10 BASL	30304	6206	6208	40x80x10 BASL
MNHL40/2	6208	6010-2RS	50x72x8 BASL	6305	30207	30209	45x85x10 BASL
MNHL50/2	NJ 208 E	6010-2RS	50x72x8 BASL	6307	30210	30211	55x100x10 BASL
MNHL60/2	NJ 209 EC	6015-2RS	75x100x10	32208	32212	30213	65x120x12 BASL
MNHL70/2	NJ 210 E	6015-2RS	75x100x10	32210	30215	30215	75x130x12 BASL
MNHL90/2	PAM 132-160-180-200			32212	32216	32219	95x170x13 BASL
	NJ 2212 E	6015-2RS	75x100x10				
	PAM 225-250						
	NJ 313 EC	6026-2RS	130x170x12				
MNHL100/2	PAM 132-160-180-200			32214	32221	32221	105x190x12 BASL
	NJ 2210 E	6015-2RS	75x100x10				
	PAM 225-250						
	NJ 313 EC	6026-2RS	130x170x12				

	56	58	45	47	19	5	3
	Cuscinetto Bearing <i>Lager</i>	Cuscinetto Bearing <i>Lager</i>	Anello di tenuta Shaft seal <i>Dichtring</i>	Cuscinetto Bearing <i>Lager</i>	Cuscinetto Bearing <i>Lager</i>	Cuscinetto Bearing <i>Lager</i>	Anello di tenuta Shaft seal <i>Dichtring</i>
NHL20	6004	6007	35x55x10 BASL	6201	6204	6204-2RS	24x47x7 BASL
NHL25/2	6005	6207-2RS	35x72x10 BASL	6302	6205	6206	30x62x8 BASL
NHL30/2	6205	6207-2RS	35x72x10 BASL	6304	6206	6208	40x80x10 BASL
NHL35/2	6205	6207-2RS	35x72x10 BASL	30304	6206	6208	40x80x10 BASL
NHL40/2	6208	6208-2RS	40x80x10 BASL	6305	30207	30209	45x85x10 BASL
NHL50/2	NJ 208 E	6208-2RS	40x80x10 BASL	6307	30210	30211	55x100x10 BASL
NHL60/2	NJ 209 EC	6310-2RS	50x72x8 BASL	32208	32212	30213	65x120x12 BASL
NHL70/2	NJ 2210 E	6312-2RS		32210	30215	30215	75x130x12 BASL
NHL90/2	NJ 313 EC	6416	80x110x10 BASL	32212	32216	32219	95x170x13 BASL
NHL100/2	NJ 313 EC	6416	80x110x10 BASL	32214	32221	32221	105x190x12 BASL

Запчасти для мотор-редукторов серии MNHL

MNHL .../3

	31	33	45	41	36	22	19	5	3
	Cuscinetto Bearing Lager	Cuscinetto Bearing Lager	Anello di tenuta Shaft seal Dichtring	Cuscinetto Bearing Lager	Cuscinetto Bearing Lager	Cuscinetto Bearing Lager	Cuscinetto Bearing Lager	Cuscinetto Bearing Lager	Anello di tenuta Shaft seal Dichtring
MNHL25/3	6004	6007-2RS	35x55x10 BASL	6201	HK 1010	6302	6205	6206	30x62x8 BASL
MNHL30/3	6004	6007-2RS	35x55x10 BASL	6301	HK 1015	6304	6206	6208	40x80x10 BASL
MNHL35/3	6004	6007-2RS	35x55x10 BASL	6301	HK 1015	30304	6206	6208	40x80x10 BASL
MNHL40/3	6005	6008-2RS	40x60x10 BASL	6302	HK 1212	6305	30207	30209	45x85x10 BASL
MNHL50/3	6205	6008-2RS	40x60x10 BASL	6304	HK 1512	6307	30210	30211	55x100x10 BASL
MNHL60/3	6208	6010-2RS	50x72x8 BASL	6305-2RS	HK 2216	32208	32212	30213	65x120x12 BASL
MNHL70/3	NJ 208 E	6010-2RS	50x72x8 BASL	6307	HK 2820	32210	30215	30215	75x130x12 BASL
MNHL90/3	NJ 209 EC	6015-2RS	75x100x10	33208	33208	32212	32216	32219	95x170x13 BASL
MNHL100/3	NJ 210 E	6015-2RS	75x100x10	32310	33210	32214	32221	32221	105x190x12 BASL

	31	33	45	41	36	22	19	5	3
	Cuscinetto Bearing Lager	Cuscinetto Bearing Lager	Anello di tenuta Shaft seal Dichtring	Cuscinetto Bearing Lager	Cuscinetto Bearing Lager	Cuscinetto Bearing Lager	Cuscinetto Bearing Lager	Cuscinetto Bearing Lager	Anello di tenuta Shaft seal Dichtring
NHL25/3	6004	6007-2RS	35x62x7 BASL	6201	HK 1010	6302	6205	6206	30x62x8 BASL
NHL30/3	6004	6007-2RS	35x62x7 BASL	6301	HK 1015	6304	6206	6208	40x80x10 BASL
NHL35/3	6004	6007-2RS	35x62x7 BASL	6301	HK 1016	30304	6206	6208	40x80x10 BASL
NHL40/3	6005	6207-2RS	35x72x10 BASL	6302	HK 1212	6305	30207	30209	45x85x10 BASL
NHL50/3	6205	6207-2RS	35x72x10 BASL	6304	HK 1512	6307	30210	30211	55x100x10 BASL
NHL60/3	6208	6208-2RS	40x80x10 BASL	6305-2RS	HK 2216	32208	32212	30213	65x120x12 BASL
NHL70/3	NJ 208 E	6208-2RS	40x80x10 BASL	6307	HK 2820	32210	30215	30215	75x130x12 BASL
NHL90/3	NJ 209 EC	6015-2RS	50x72x8 BASL	33208	33208	32212	32216	32219	95x170x13 BASL
NHL100/3	NJ 2210 E	6312-2RS	60x85x8 BASL	32310	33210	32214	32221	32221	105x190x12 BASL